

Date: Tuesday, December 09, 2008

To: Canadian Dealers

Product Discontinuance Notice Reminder: DVAC Product Line

(Originally distributed in September)

Please note that as of December 31st 2008, DSC will discontinue production of the following products:

PC4401DV	80012833
PC5400DVULC	80032335
SG-DVAC PC5400DV	80032202C0001
SG-DV4420-ULC	90016004
SG-DV4420PCB	90016005
SG-DVL2ACDN	90001010

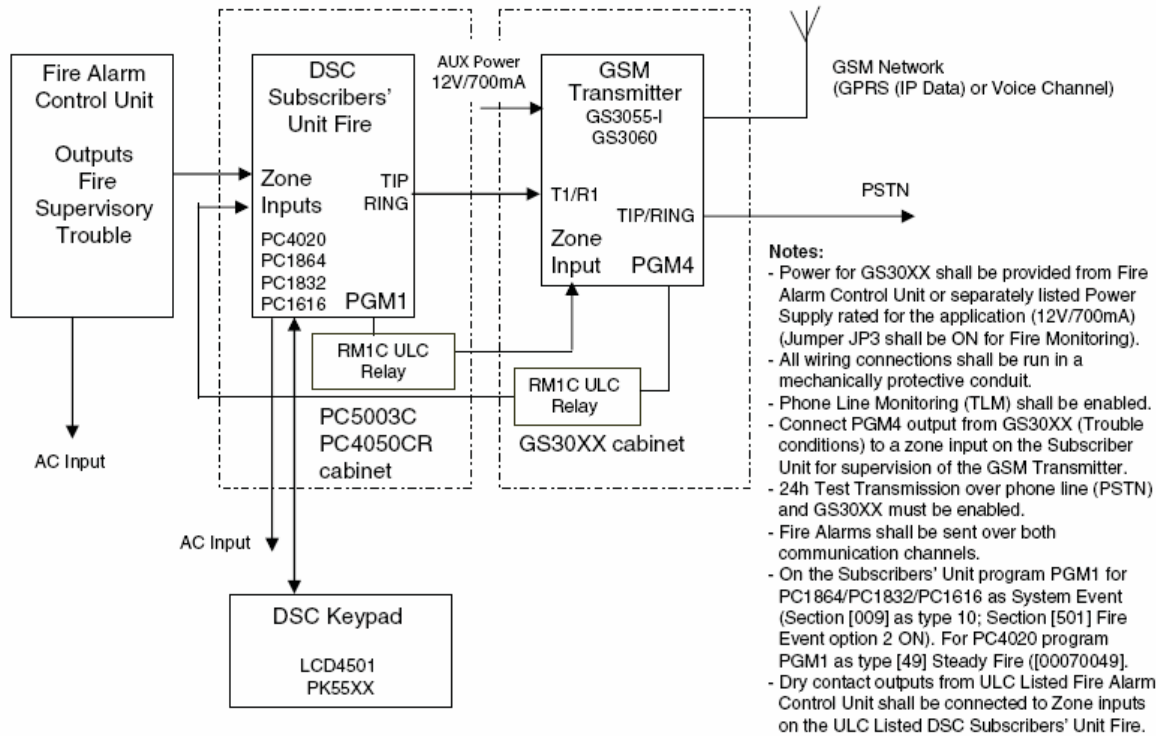
DSC will continue to support these products for the duration of the warranty period.

Recommended replacements are as follows:

Discontinued Product	Replacement Product
PC4401DV 80012833	TLINKTL250 90000069 GS3060 with Compatible DSC Control Panel ¹
PC5400DVULC 80032335	TLINKTL250 90000069 GS3060 with Compatible DSC Control Panel ¹
SG-DVAC PC5400DV 80032202C0001	TLINKTL250 90000069 GS3060 with Compatible DSC Control Panel ¹
SG-DV4420-ULC 90016004	TL300 90000070 GS3060 with Compatible DSC Control Panel ¹
SG-DV4420PCB 90016005	TL300 90000070 GS3060 with Compatible DSC Control Panel ¹
SG-DVL2ACDN 90001010	SG-SYSTEM-II 90009018 SG-DRL3-IP 90080112 (With SG-System III)

¹ Please see below for hookup diagram.

DSC Subscribers' Unit Fire and GSM Transmitter (Passive Communication System)



Communications

To order, call 1-888-888-7838
 For more information on these or other DSC products, e-mail info@dsc.com
 or contact your DSC Inside Sales Representative.