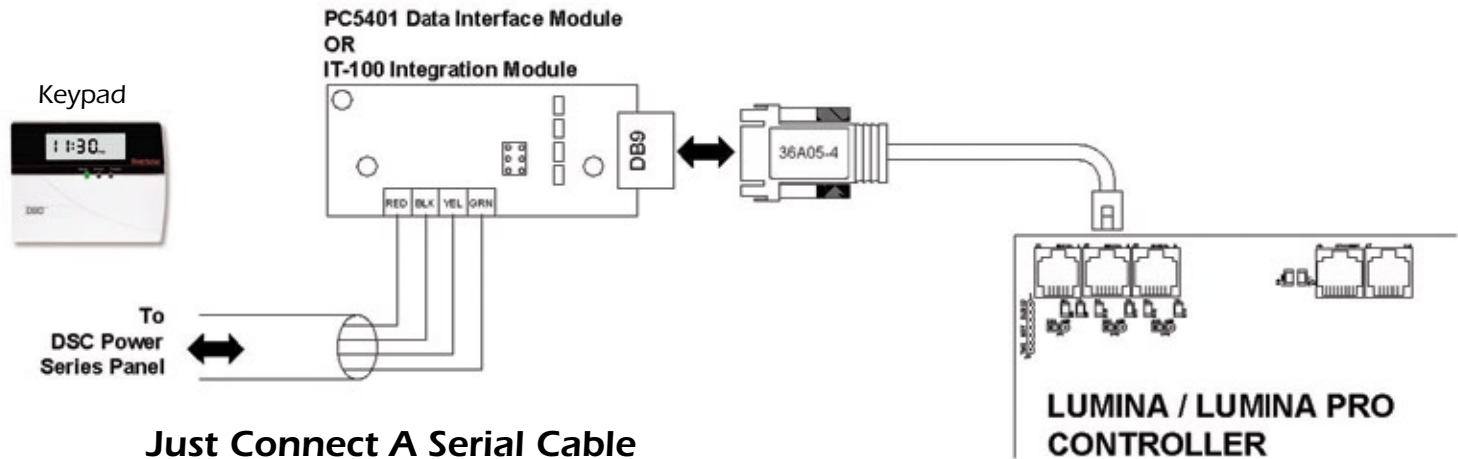
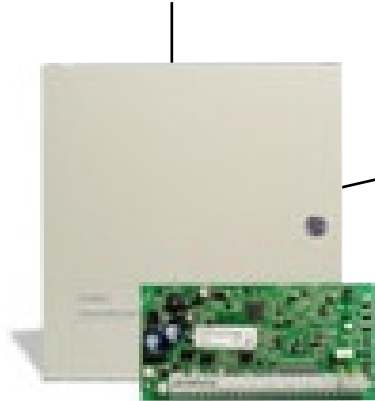
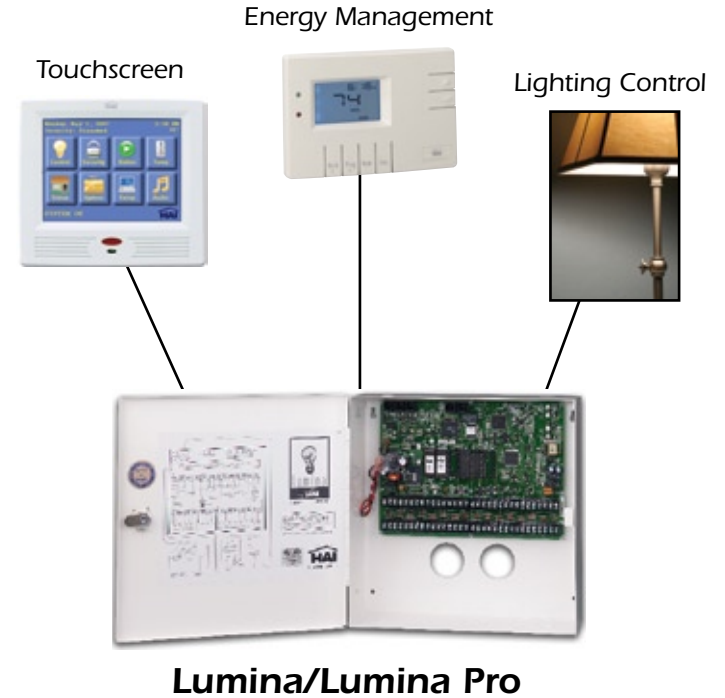


Add Home Automation to Your DSC Security Panel

- Turn on all inside and outside lights when a burglar or fire alarm is tripped.
- Automatically set back thermostats and turn off lighting when arming the DSC system.
- Arm or disarm your DSC system over the Internet via HAI's Snap-Link software.



HAI Lumina/Lumina Pro Integration with DSC PowerSeries™ Alarm Panels

Introduction

HAI's Lumina and Lumina Pro central lighting and home automation systems can integrate with Tyco's DSC PowerSeries™ Alarm Panels over a serial connection. The six models in the DSC PowerSeries™ line of alarm systems are the Power632, PC1616, Power832, PC1832, Power864, and PC1864.



Lumina supports up to 32 security zones from the DSC security panel and the Lumina Pro supports up to 64 security zones from the DSC security panel.

With the integration, the Lumina/Lumina Pro can trigger events from the DSC security zones when they are opened or closed such as turning the foyer light on when the front door is open if it is dark.

The Lumina/Lumina Pro can also trigger events when the DSC security system goes into Alarm such as turning on all inside and outside lights when a burglar or fire alarm is tripped.

The integration allows the arming or disarming of the DSC security system over the Internet via HAI's award-winning Snap-Link software. This software comes on a USB drive, and allows you to connect from any Internet-enabled PC without leaving any trace of the application behind.



For energy efficiency the Lumina/Lumina Pro can change "Modes" when the DSC security system is armed or disarmed. When leaving the house and arming the DSC alarm in the AWAY "Mode", the Lumina/Lumina Pro can be setup to automatically set back thermostats and turn off lights.

DSC Zone Integration

When a HAI Lumina/Lumina Pro is set up to communicate with a DSC PowerSeries™ security panel, zones in the Lumina/Lumina Pro are reserved to mimic those of the corresponding DSC security zones.

The Lumina controller supports up to 32 security zones from the DSC security panel. It uses expansion zones 17-48 for security integration.

The Lumina Pro controller supports up to 64 security zones from the DSC security panel. It uses the first 4 unused expansion enclosure spots for security. If no expansion enclosures are installed on the Lumina Pro, zones 49-112 will be reserved to follow the actions of the DSC security zones. If one expansion enclosure is installed, zones 56-128 will be reserved.

HAI Lumina/Lumina Pro Integration with DSC PowerSeries™ Alarm Panels

DSC Arming Integration

The Lumina/Lumina Pro “Mode” will follow the arming condition of the DSC security panel. This allows for remote monitoring of the DSC security system via HAI’s Internet remote access Snap-Link software and also allows programming options when using Lumina/Lumina Pro “Modes”.

Note that arming and/or disarming of the DSC system via the Lumina/Lumina Pro is not possible; however, it is possible to arm and disarm the DSC panel via HAI’s Snap-Link software. You will not be able to change the DSC security state via a Lumina keypad nor an OmniTouch 5.7 Touchscreen.



Lumina/Lumina Pro “Modes”

The Lumina/Lumina Pro will change its “Mode” based on changes in the DSC panel; however, the DSC arming state will **never change** based on changes in the Lumina/Lumina Pro “Mode”.

When the arming condition of the DSC panel is changed, the Lumina/Lumina Pro will change its “Mode” based on the current “Mode” of the Lumina/Lumina Pro and the arming condition selected on the DSC panel. The following illustrates how the Lumina/Lumina Pro “Mode” is changed based on a change in the DSC panel’s state:

	When DSC Alarm Panel is Changed to Disarm	When DSC Alarm Panel is Changed to Stay	When DSC Alarm Panel is Changed to Away	When DSC Alarm Panel is Changed to Night
Lumina / Lumina Pro starting “Mode” is Home	<i>Lumina / Lumina Pro Stays in Home “Mode”</i>	<i>Lumina / Lumina Pro Stays in Home “Mode”</i>	<i>Lumina / Lumina Pro Changes to Away “Mode”</i>	<i>Lumina / Lumina Pro Changes to Sleep “Mode”</i>
Lumina / Lumina Pro starting “Mode” is Away	<i>Lumina / Lumina Pro Changes to Home “Mode”</i>	<i>Lumina / Lumina Pro Changes to Home “Mode”</i>	<i>Lumina / Lumina Pro Stays in Away “Mode”</i>	<i>Lumina / Lumina Pro Changes to Sleep “Mode”</i>
Lumina / Lumina Pro starting “Mode” is Sleep	<i>Lumina / Lumina Pro Stays in Sleep “Mode”</i>	<i>Lumina / Lumina Pro Stays in Sleep “Mode”</i>	<i>Lumina / Lumina Pro Changes to Away “Mode”</i>	<i>Lumina / Lumina Pro Stays in Sleep “Mode”</i>
Lumina / Lumina Pro starting “Mode” is Vacation	<i>Lumina / Lumina Pro Changes to Home “Mode”</i>	<i>Lumina / Lumina Pro Changes to Home “Mode”</i>	<i>Lumina / Lumina Pro Stays in Vacation “Mode”</i>	<i>Lumina / Lumina Pro Changes to Sleep “Mode”</i>
Lumina / Lumina Pro starting “Mode” is Special	<i>Lumina / Lumina Pro Stays in Special “Mode”</i>	<i>Lumina / Lumina Pro Stays in Special “Mode”</i>	<i>Lumina / Lumina Pro Stays in Special “Mode”</i>	<i>Lumina / Lumina Pro Stays in Special “Mode”</i>
Lumina / Lumina Pro starting “Mode” is Party	<i>Lumina / Lumina Pro Stays in Party “Mode”</i>	<i>Lumina / Lumina Pro Stays in Party “Mode”</i>	<i>Lumina / Lumina Pro Changes to Away “Mode”</i>	<i>Lumina / Lumina Pro Changes to Sleep “Mode”</i>

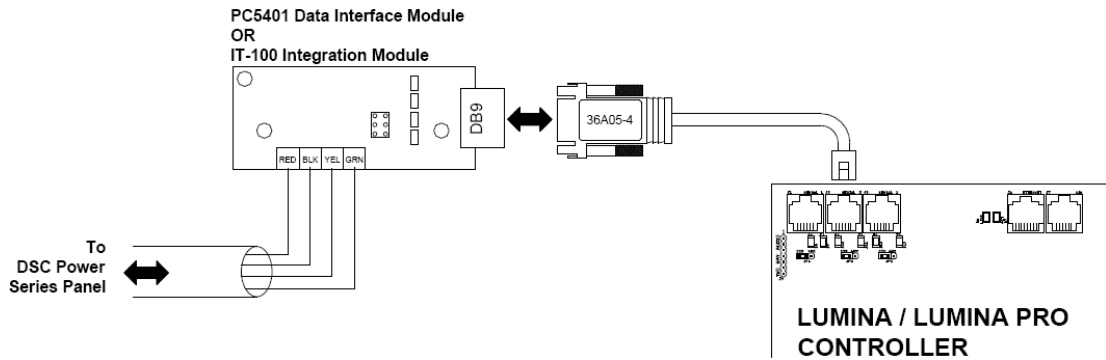
HAI Lumina/Lumina Pro Integration with DSC PowerSeries™ Alarm Panels

Connecting a DSC panel to a Lumina/Lumina Pro

The Lumina/Lumina Pro integration to DSC PowerSeries™ alarm system requires that the HAI Lumina/Lumina Pro controller have firmware version 2.15 or higher.

Integration between the Lumina/Lumina Pro and a DSC security panel requires the following equipment:

- Lumina/Lumina Pro Controller (HAI 44A00-1 or 44A00-2)
- Serial Connectivity Adapter (HAI 36A05-4)
- DSC PowerSeries™ Alarm Panel (DSC 432, 632, 832, 864, PC580/585, PC 1616, or PC 1864)
- DSC Serial Adapter (DSC PSC4501 or IT-100)



Connect the RJ11 end of the HAI serial connectivity adapter (HAI 36A05-4) to a serial port on the Lumina/Lumina Pro (HAI 44A00-1 or 44A00-2). Connect the DB9 end of the HAI 36A05-4 to the DSC serial adapter (DSC PC5401 or IT-100). Connect the DSC PC5401 or DSC IT-100 to the keypad bus of the DSC PowerSeries™ panel.

HAI Lumina/Lumina Pro Integration with DSC PowerSeries™ Alarm Panels

Configuring the DSC Serial Port

The serial port on the DSC panel must first be activated. Consult the DSC installation manual for details. Once the DSC serial port is activated, a serial connection must be made from the DSC serial port to an unused serial port on the Lumina Pro.

Configuring Serial Communications for DSC

When connecting the DSC panel to a serial interface on the Lumina/Lumina Pro controller, the serial interface on the Lumina/Lumina Pro must be configured to the proper protocol. Using a Lumina/Lumina Pro Keypad, navigate to Setup | Installer | Expansion, and set the desired Serial *x* Function to DSC, where *x* is the number of the serial port.

Setting up Lumina/Lumina Pro Automation

No programming is required to use the integration between the Lumina/Lumina Pro and PowerSeries™ alarm panels; however, adding programs to the Lumina/Lumina Pro can greatly enhance the automation of a home. The following programs give a few examples of the many tasks that Lumina/Lumina Pro can accomplish to enhance a home when integrated with the DSC security panel.

The following program will turn on the foyer light when the front door is opened and if it is dark outside.

```
WHEN Front Door NOT READY &IF DARK: Foyer Light ON FOR 5 MINUTES
```

The following program will set a thermostat back to conserve power when no one is home.

```
WHEN SET AWAY: Thermostat 1 MODE AUTO  
WHEN SET AWAY: Thermostat 1 HEAT SETPOINT 60  
WHEN SET AWAY: Thermostat 1 COOL SETPOINT 80
```

For more examples of programming please visit the HAI Knowledge Base at <http://kb.homeauto.com>.